

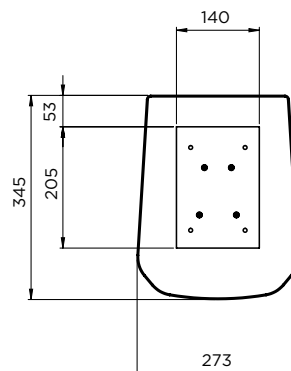
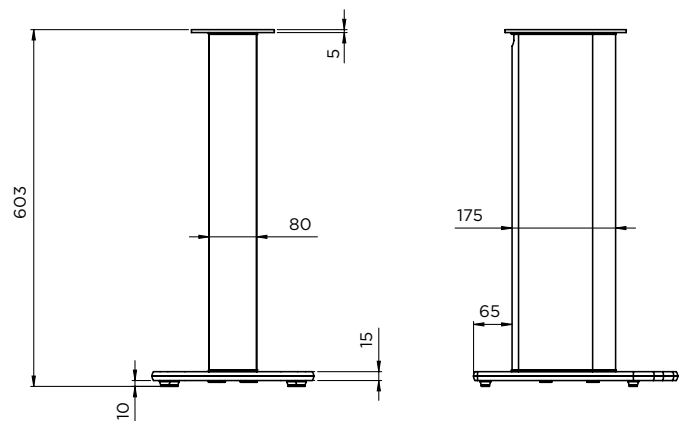
ARIA S900

Product Data Sheet



Key points

- Elegant design
- Noble materials
- Solid mounting of the Aria Evo X N°1 loudspeaker with screws, optimal sealing and good stability
- Unique finish: Mat Aluminium, Black High Gloss base



Height	23 ³ / ₄ " (60.3cm)
Weight	14lbs (6.3kg)